

**Corcraft** PRODUCTS **SPECTRA**

CHROME FRAME

**SEATING GROUP**



OFFICE/CONFERENCE/ Seating



NYS  
DEPARTMENT  
OF  
CORRECTIONAL  
SERVICES

# SPECTRA

## SWIVEL/TILT CHAIRS

# SEATING GROUP

Contemporary styling complemented by swivel/tilt controls are important features found in the Spectra Executive and Deluxe Executive group. Additional options include pneumatic height adjustment paddles or heavy-duty swivel/tilt units.

**Corcraft**  
PRODUCTS

For maximum comfort and adjustability, choose Spectra for your office or conference seating.

### FEATURES

#### Frame

Chromed tubular 16 gauge steel, 1" diameter.

#### Seat

Polyether foam on plycurve, upholstered.

#### Back

Polyether foam on plycurve, upholstered.

#### Arm

Padded armrest, upholstered.

#### Swivel Base

- Cast aluminum, polished chrome plated.
- 5 star, 25" diameter base on swivel chairs.

#### Casters

- 2½" plastic polished chrome hooded, twin soft urethane wheels.



\*\*\*\* Complete the code indicating your Corcraft fabric covering choice by including the data in the spaces provided to the right of the item code.

**Note:** Cannot be made in vinyl or with Crypton fabrics.

F54-105300-3630

# SEATING ADJUSTMENT CONTROLS

- Standard duty swivel tilt chair control with adjustable tilt tension and overall height.
- Optional pneumatic height adjustment available.
- Heavy-duty Spectra Executive Swivel/Tilt units feature reinforced chair controls and heavier gauge collar components.

## (1) Seat Height Adjustment

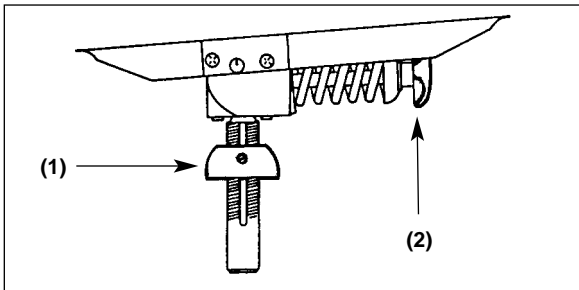
- Raise** – Turn Retaining Collar Clockwise
- Lower** – Turn Retaining Collar Counterclockwise

## (2) Tilt Tension Adjustment

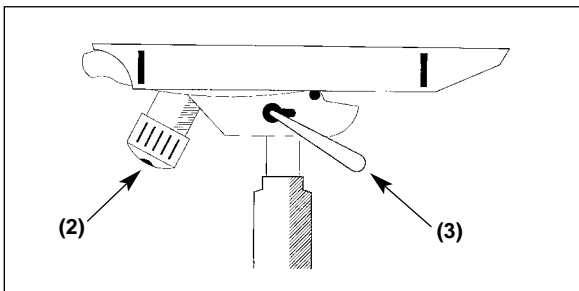
- Raise Tension** – Turn Control Knob Clockwise
- Lower or Loosen Tension** – Turn Control Knob Counterclockwise

## (3) Pneumatic Seat Height Adjustment Paddle

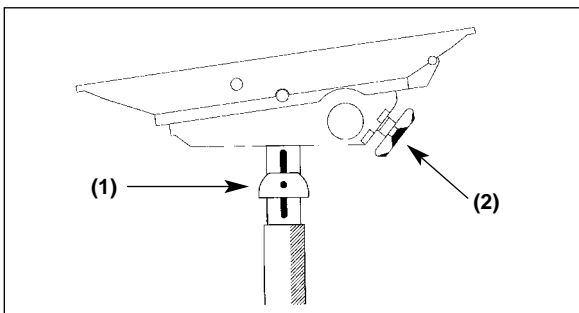
Raise body weight off seat, pull paddle up to raise seat height. To lower seat height, raise paddle up until seat lowers to desired height.



F54-105300, F54-105400, F54-105000 Side View



With pump: F54-1053WP, F54-1050WP



Heavy duty: F54-1053HD, F54-1054HD, F54-1050HD

# DELUXE EXECUTIVE SWIVEL/TILT



## Deluxe Executive Swivel/Tilt w/Arms†

F54-105300- \* \* \* \*  
25W X 26D X 42H  
Weight 35 lb

## Deluxe Executive Swivel/Tilt w/Arms, Heavy-Duty

F54-1053HD- \* \* \* \*  
25W X 26D X 42H  
Weight 35 lb

## Deluxe Executive Swivel/Tilt w/Pump/Arms

F54-1053WP- \* \* \* \*  
25W X 26D X 42H  
Weight 35 lb

# EXECUTIVE SWIVEL/TILT



## Executive Swivel/Tilt Armless†

F54-105400- \* \* \* \*  
25W X 26D X 32H  
Weight 32 lb

## Executive Swivel/Tilt Armless, Heavy-Duty

F54-1054HD- \* \* \* \*  
25W X 26D X 32H  
Weight 32 lb

## Executive Swivel/Tilt w/Arms†



F54-105000- \* \* \* \*  
25W X 26D X 32H  
Weight 33.5 lb

## Executive Swivel/Tilt w/Arms, Heavy-Duty

F54-1050HD- \* \* \* \*  
25W X 26D X 32H  
Weight 33.5 lb

## Executive Swivel/Tilt w/Pump/Arms

F54-1050WP- \* \* \* \*  
25W X 26D X 32H  
Weight 33.5 lb

† Shown on cover

# SPECTRA

## CONFERENCE AND SIDE CHAIR

# SEATING GROUP



F54-1052SB-3254

The Spectra conference and side chairs offer good looks and contemporary flair with a chromed tubular steel frame and sled base construction. The upholstered seat, back and arms are available in a wide choice of fabrics and colors, to coordinate with your design scheme.



*Spectra conference and side chairs are designed for carpeted floor applications only.*

F54-1051SB-3254

### Conference Chair

F54-1051SB- \* \* \* \* \*  
25W X 26D X 33H  
Weight 27 lb

### Side Chair

F54-1052SB- \* \* \* \* \*  
22½W X 26D X 33H  
Weight 22 lb

\*\*\*\* Complete the code indicating your Corcraft fabric covering choice by including the data in the spaces provided to the right of the item code.

**Note:** Cannot be made in vinyl or with Crypton fabrics.

Corcraft is your NYS preferred source vendor — place your order today!

All Corcraft customers can get assistance from a Corcraft Sales Representative. They provide detailed information on the more than 300 Corcraft products and can help in selecting the best solution and in placing orders. If you have not been contacted by Corcraft, please call our Sales Unit list to the right. To place an order directly to our headquarters, FAX or mail your purchase order using the contact information at the right. ***If you FAX your purchase order, please do not mail a duplicate.***

**Corcraft**  
PRODUCTS

NYS DEPARTMENT OF CORRECTIONAL SERVICES  
DIVISION OF INDUSTRIES

550 Broadway  
Albany, New York 12204-2802

Order Services Mail to above address  
Order Services FAX 800-898-5895 (In NYS) or 518-436-6007  
Sales Unit Voice 800-436-6321 ext. 200 (In NYS) or  
518-436-6321 ext. 200  
Web <http://www.corcraft.org/>

Corcraft accepts the American Express® Corporate Purchasing Card. 